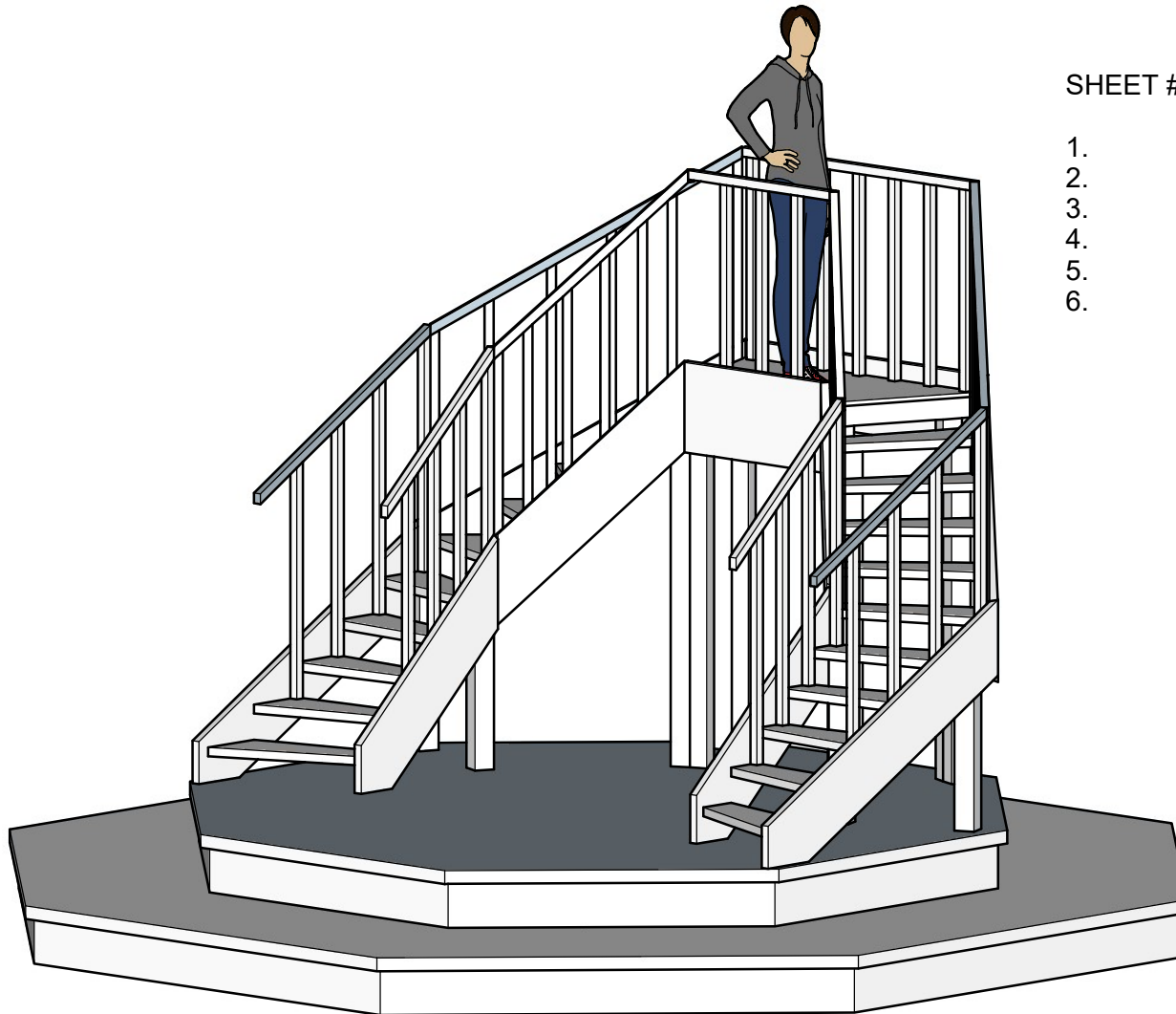
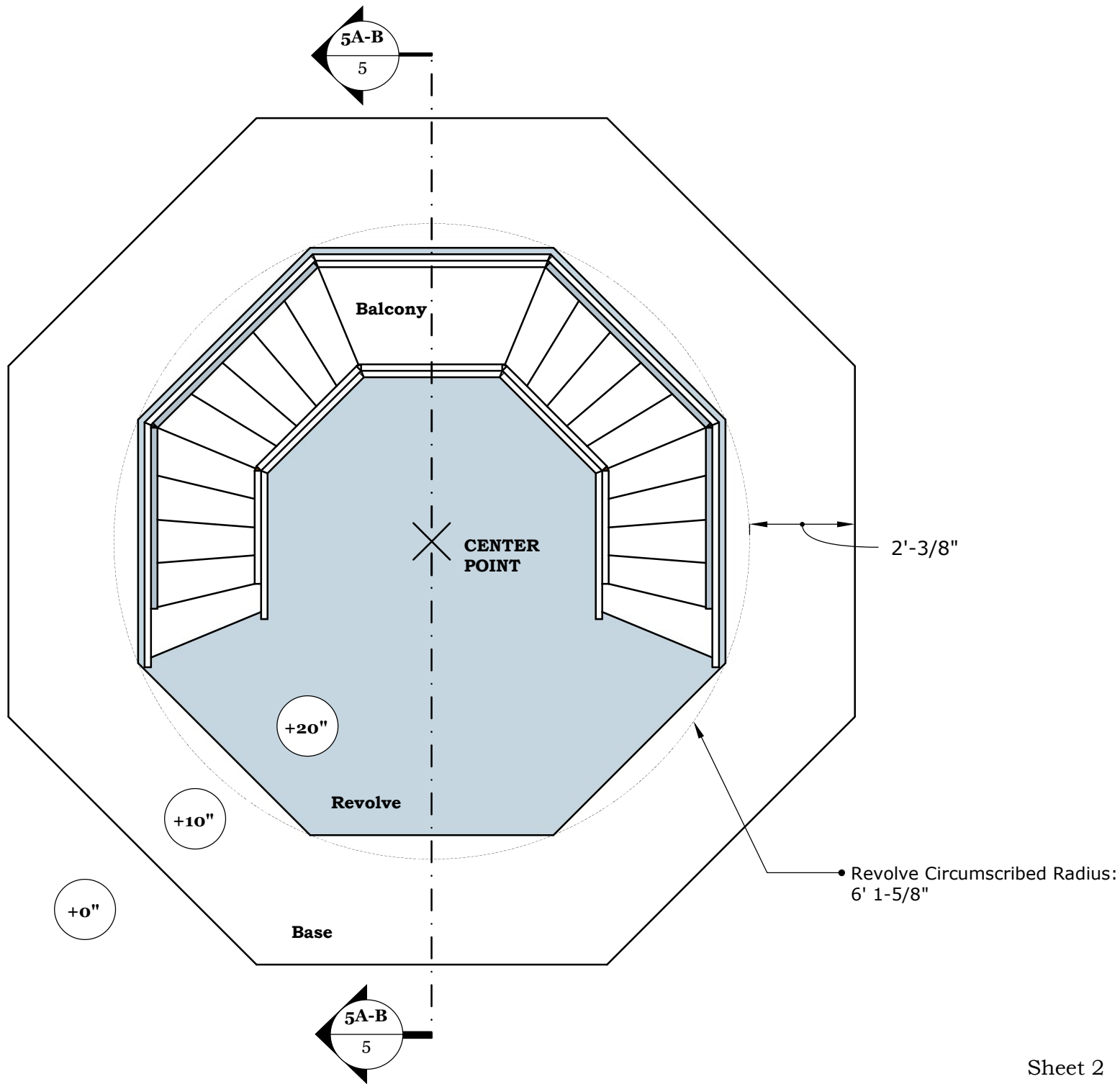


"Woods" - "Midsummer" Platform Base, Revolve, Balcony

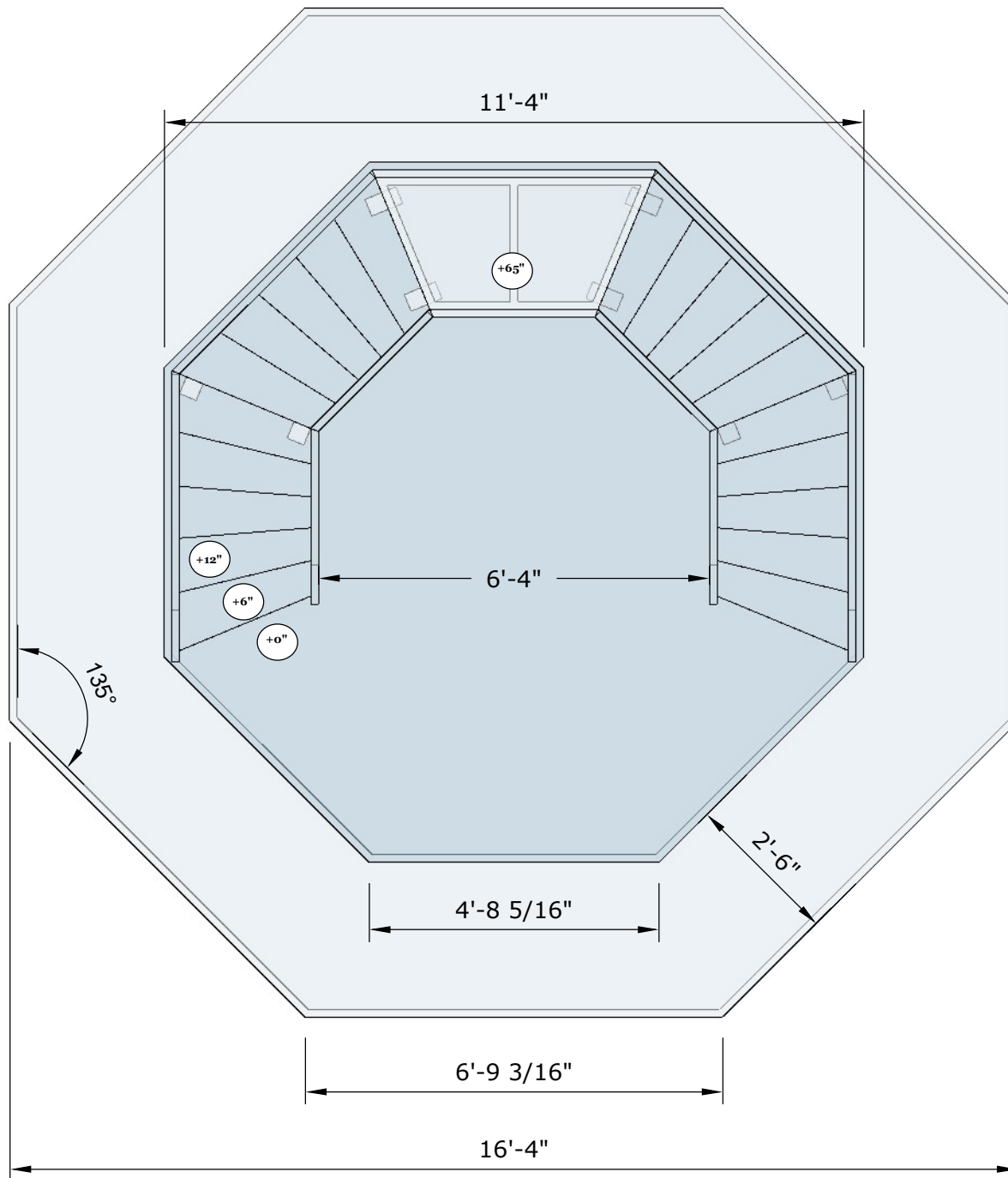


CONTENTS

SHEET #	DRAWING
1.	Contents, 1. Isometric View
2.	2. Plan View
3.	3. Plan View with Dimensions
4.	Front View 4A-4B
5.	Side View 5A-5B
6.	Plan View 6A, Back View 6B, Detail 6C

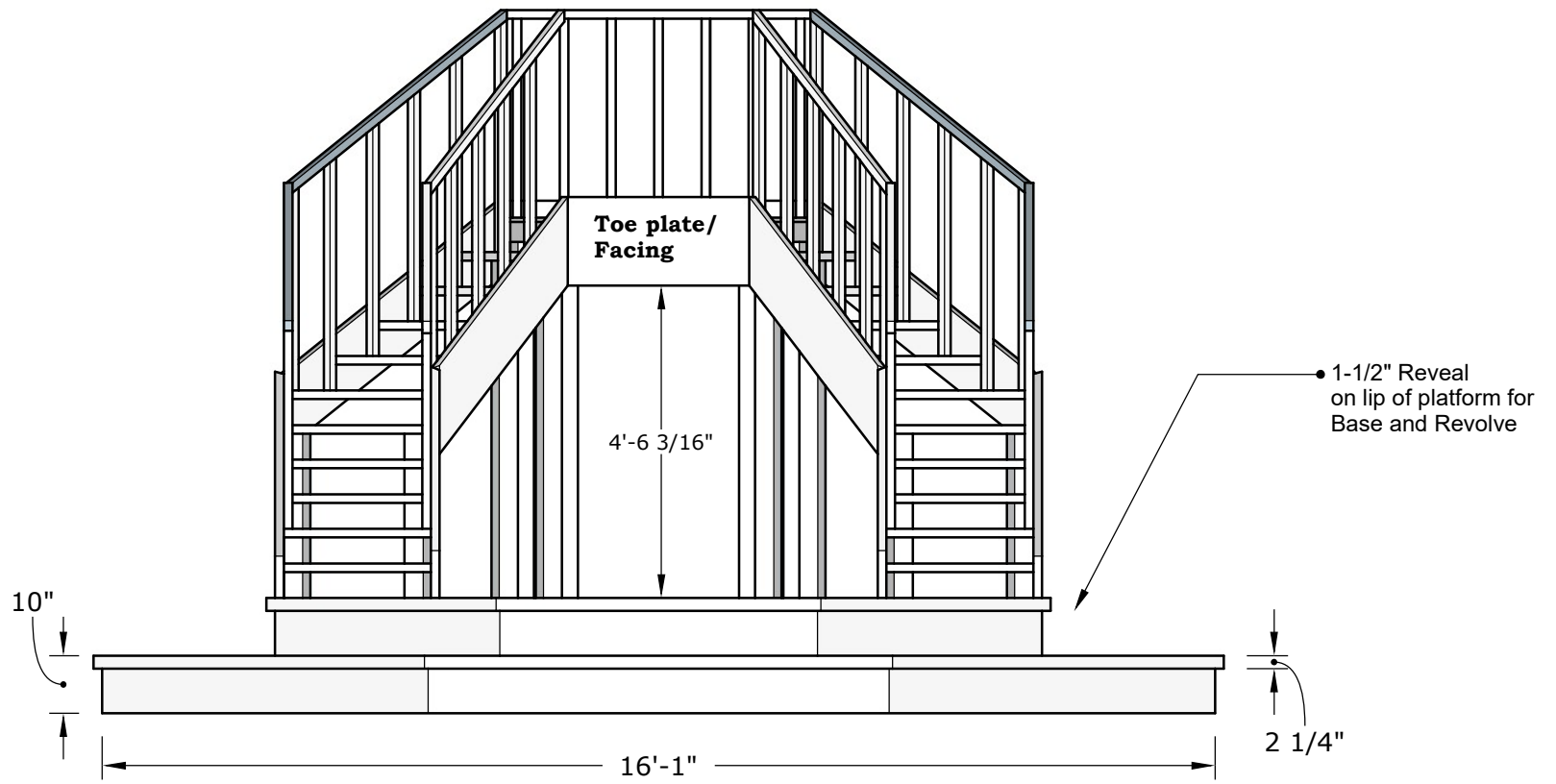


2. Plan View

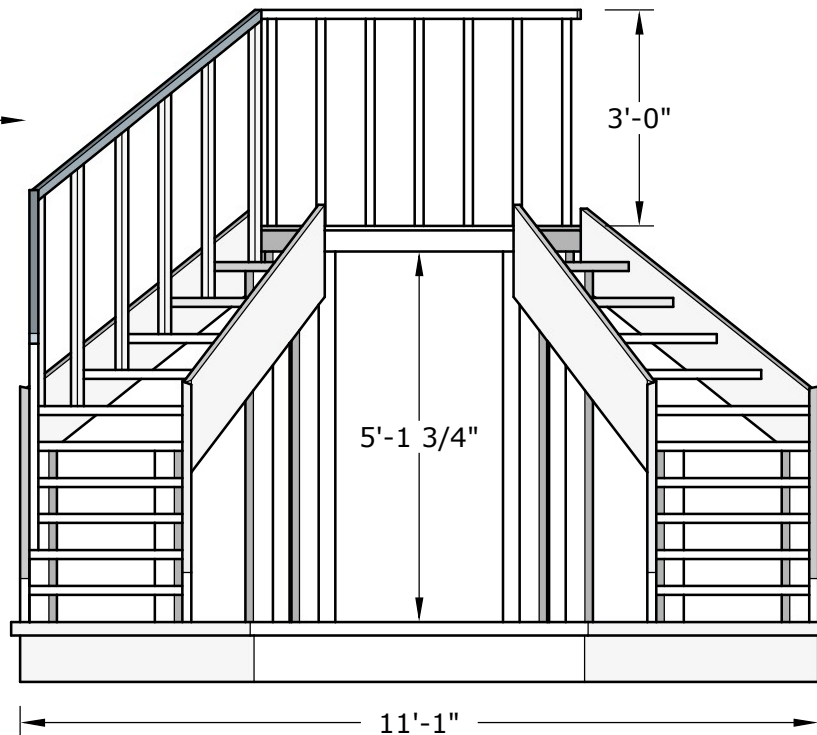


3. Plan View:
with dimensions,
railings omitted

4A. Front View



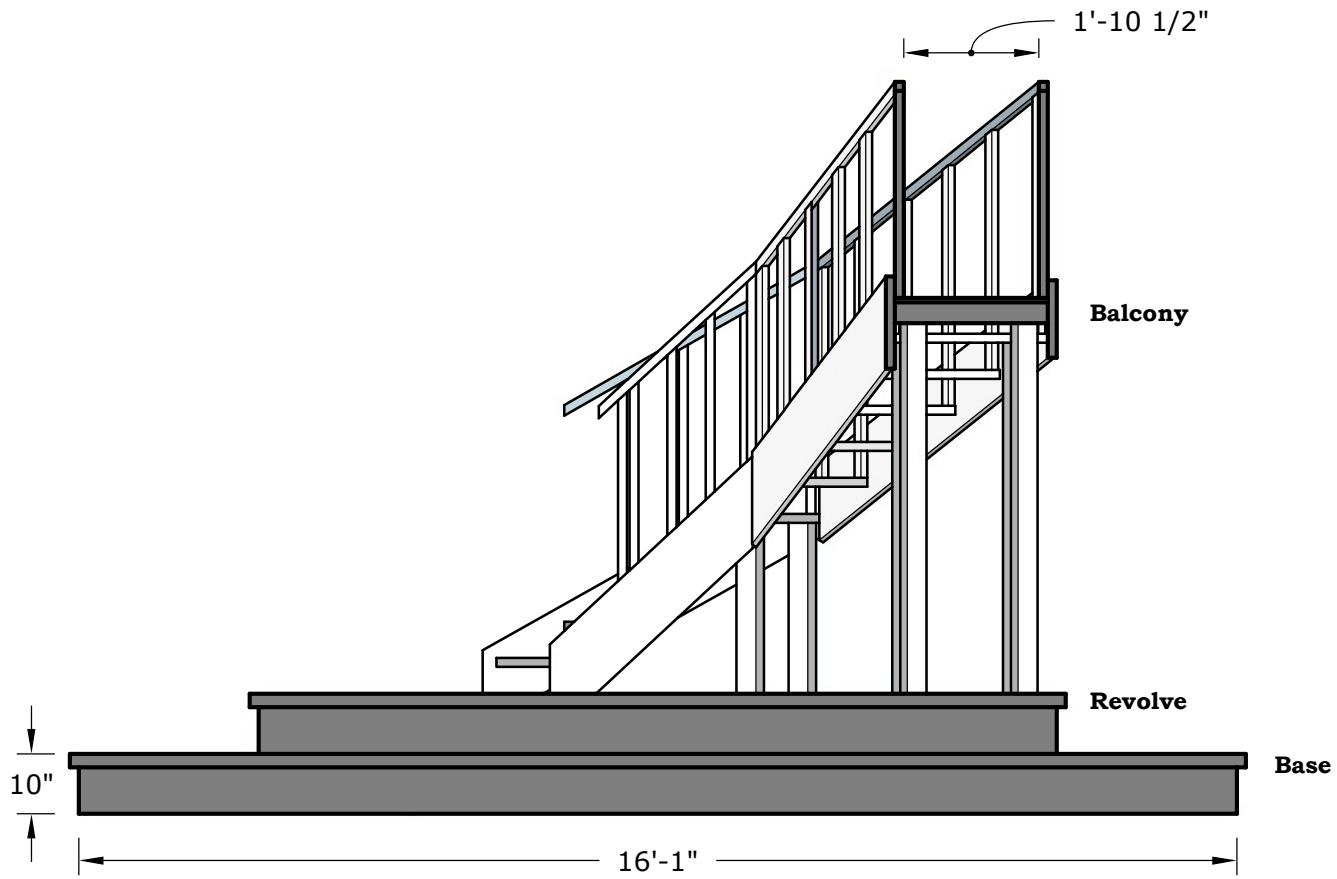
3' high railing built from 1-1/2" x 1-1/2" square stock



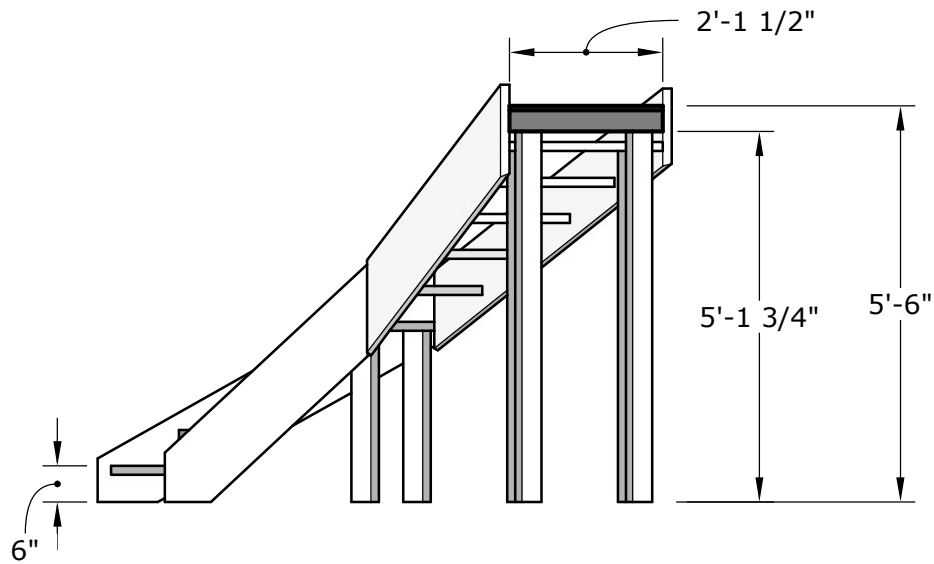
4B. Front View

- Toe Plate/Facing omitted
- Base Omitted
- Railing partially omitted

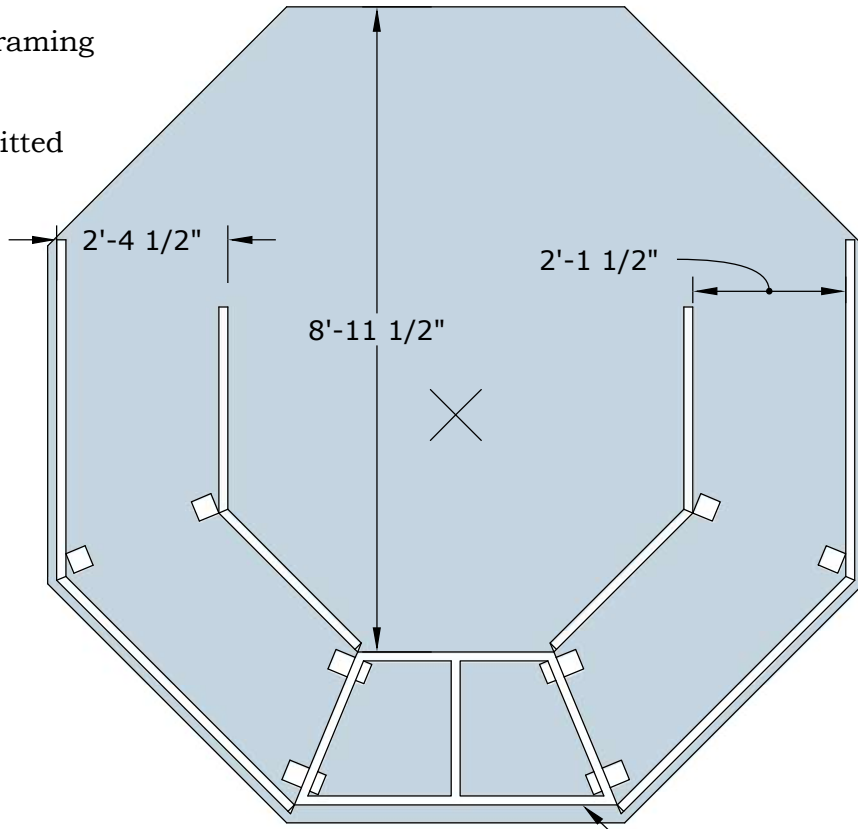
5A. Sectional from SL



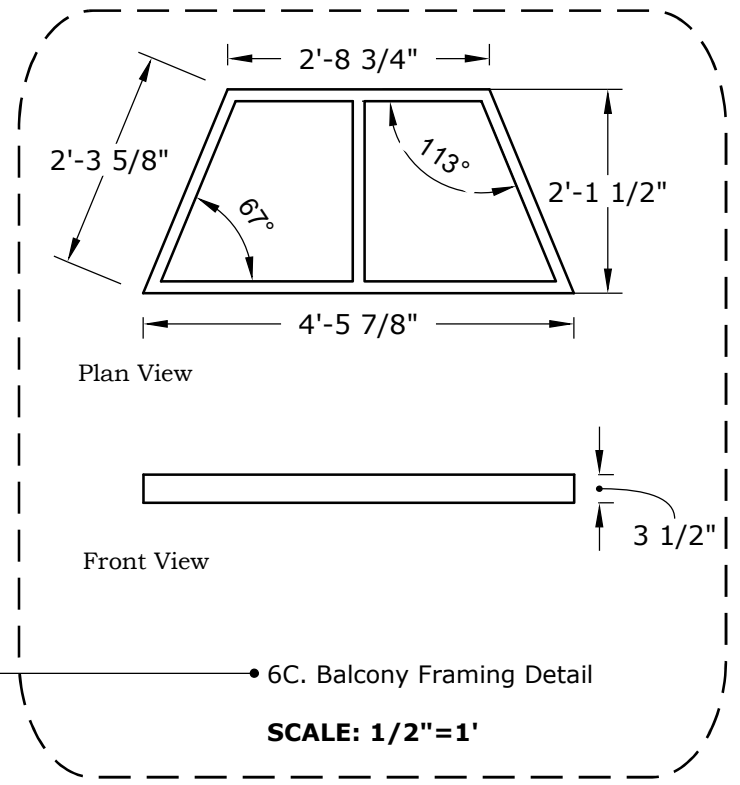
5B. Sectional from SL
-Base, Revolve and Railing Omitted



6A. Plan View: Revolve
 -Stair Legging and Framing
 Exposed
 -Treads, Railing
 Balcony decking omitted

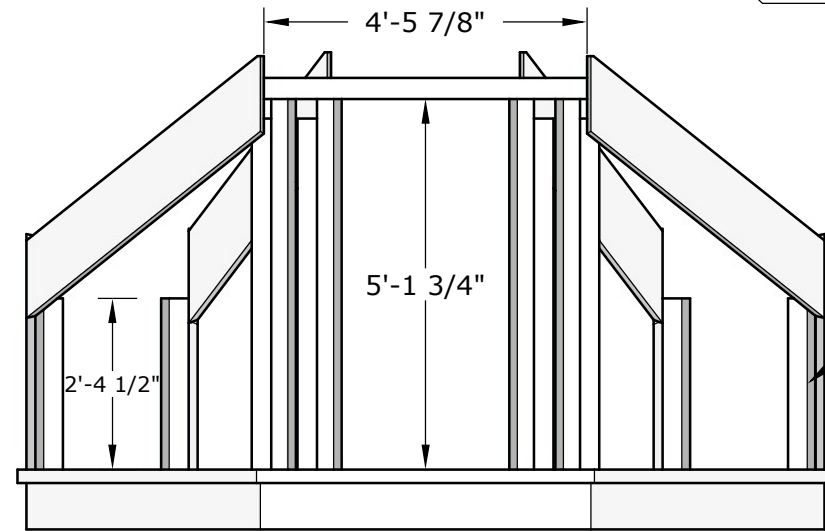


Stairs inset 1-1/2" from lip of revolve



SCALE: 1/2" = 1'

6B. Back View: Revolve
 -Stair Legging and
 Framing exposed
 -Treads, Railing and
 Balcony decking
 omitted



Leg with 3-1/2" x 3-1/2" posts